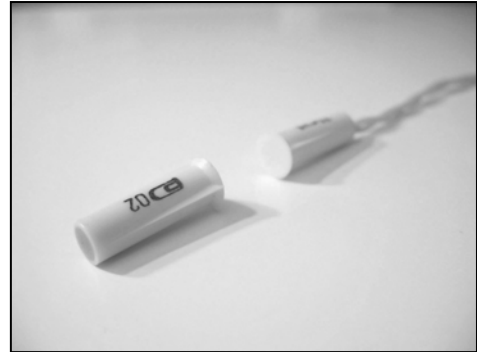


DE 015-0136

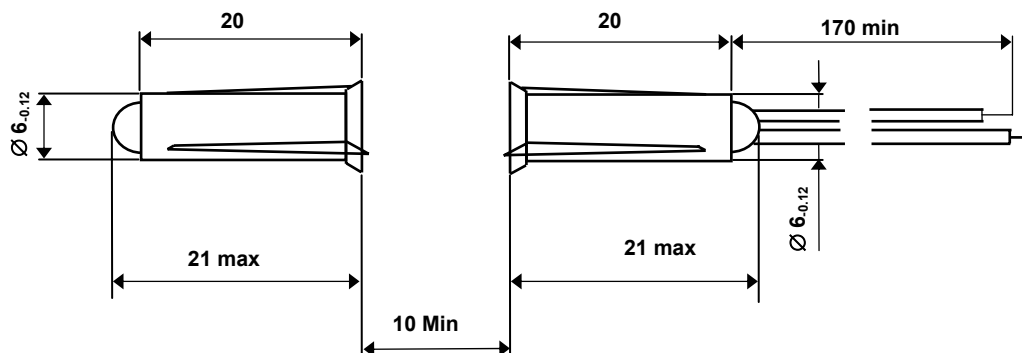
Description

- Miniature size
- Designed for recessed mounting in a non-ferrous material
- Colour: white
- Lead length: 170mm
- 0.2mm² cross-section PVC-covered multi-wire cord leads
- Gap size, min: 10mm
- Case material: polystyrene



Specifications

Switching Voltage	0.05 – 72 V DC
Switching Current	0.1 mA – 0.25 A
Max Switching Power	10 W
Contact Resistance, Ohm	0.5
Breakdown Voltage	150 V AC
Life Time	8 years min
Operating Time	
Vibration	10 – 35Hz at 0.5g
Operating Temp. (deg C)	-50 / +50degC
Mounting Hole Size	6mm



Deeter Electronics Ltd follows a policy of continual development of its products and reserves the right to change specifications and/or features without notice

Deeter House, Valley Road, Hughenden Valley, Bucks. HP14 4LW

Tel: +44 (0) 1494 566046 Fax: +44 (0) 1494 563961 Email: sales@deeter.co.uk

www.deeter.co.uk