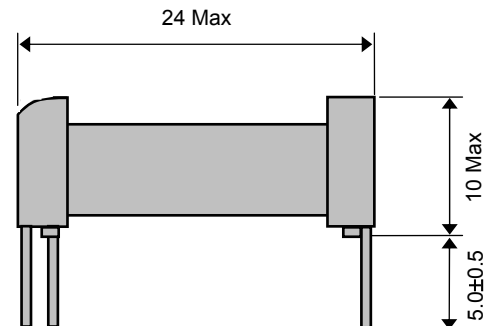


Electromagnetic low-current miniature, open relay with one changeover contact. Designed for switching AC or DC signals at a frequency of 10kHz max. Applications include communications, automation, telemetry and ATE. Available in DIP and SMD packages fitted with a magnetic shield and protection diode compatible with TTL, Schottky and C-MOS logic control signals.

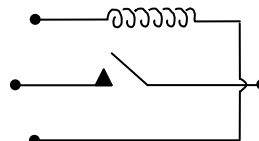
Nominal voltage series, V	3 / 5 / 12 / 24
Operate voltage V, max	2.4 / 3.2 / 8 / 16
Release voltage V, min	0.8 / 1 / 2 / 2.7
Contact resistance Ohm, max	0 / 15
Operate time ms, max	1
Release time ms, max	0.5
Insulation resistance Ohm, min	10E9
Breakdown voltage VDC, min	220
Maximum switching power, W	10
Maximum switching voltage, V	100
Maximum switching current, A	0.5
Electrical life (as depends on switching mode), cycles	5x10E5 to 1x10E7

Coil Operation Data	
V nominal	R, Ohm
3	500
5	500
5	750
12	1100
12	2500
24	2500

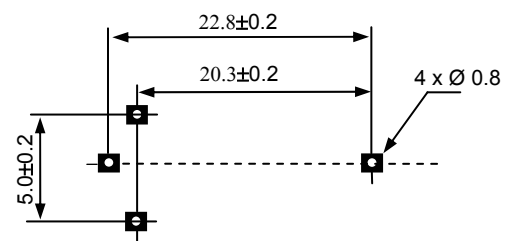
Operating Conditions	
Ambient Temp., °C	-40 / +85
Multiple mechanical shocks (2-10ms)	40g



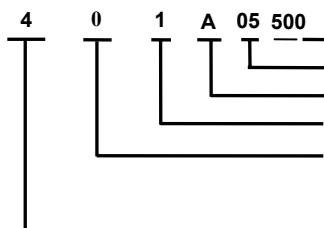
Circuit Diagram



Wiring Diagram



Order Code



Coil resistance: see table above  
 Nominal voltage: 3V, 5V, 12V, 24V  
 Contact type: A-normally open  
 Number of contact sets

O – no diode or shield; D – with diode only; 3 – with shield only; M – with diode and shield

Type of design: 4-Open type

