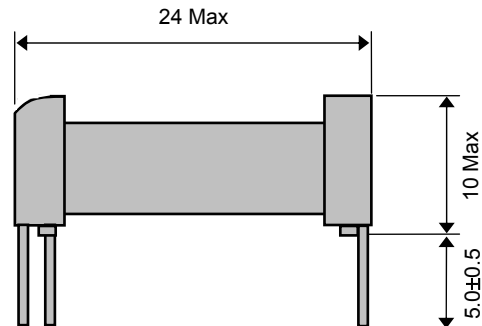


Electromagnetic low-current miniature hermetically sealed relay with single pole changeover contact. Designed for switching AC or DC signals at a frequency of 10kHz max. Applications include communications, automation, telemetry and ATE. Available in DIP and SMD packages fitted with a magnetic shield and protection diode compatible with TTL, Schottky and C-MOS logic control signals

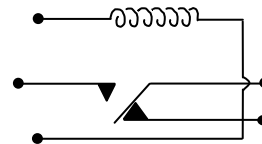
<b>Nominal voltage series, V</b>	3 / 5 / 12 / 24
<b>Operate voltage V, max</b>	2.4 / 3.2 / 8 / 16
<b>Release voltage V, min</b>	0.8 / 1 / 2 / 2.7
<b>Contact resistance Ohm, max</b>	0 / 15
<b>Operate time ms, max</b>	1
<b>Release time ms, max</b>	2
<b>Insulation resistance Ohm, min</b>	1x10E9 / 2x10E7
<b>Breakdown voltage VDC, min</b>	200
<b>Maximum switching power, W</b>	4
<b>Maximum switching voltage, V</b>	60
<b>Maximum switching current, A</b>	0.25
<b>Electrical life (as depends on switching mode), cycles</b>	1x10E4 to 1x10E7

Coil Operation Data	
V nominal	R, Ohm
3	500
5	500
5	750
12	1100
12	2500
24	2500

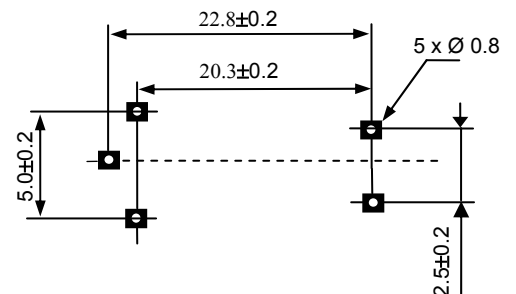
Operating Conditions	
Ambient Temp., °C	-40 / +85
Multiple mechanical shocks (2-10ms)	15g



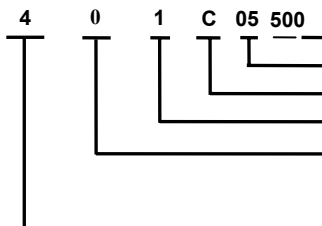
**Circuit Diagram**



**Wiring Diagram**



**Order Code**



Coil resistance: see table above  
 Nominal voltage: 3V, 5V, 12V, 24V  
 Contact type: C-changeover  
 Number of contact sets

O – no diode or shield; D – with diode only; 3 – with shield only; M – with diode and shield

Type of design: 4-Open type

